


TECHNICAL DATA SHEET



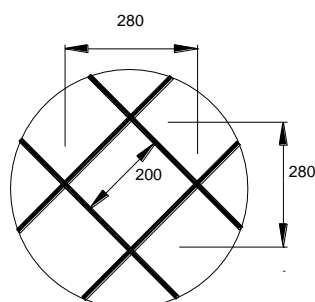
KAYAPP

Product Name	
Reference No:	DS 0757-05/2017 Rev 3
Date of Issue	29 July 2020
Description	A polymeric homogenous sheet bonded to form four-sided cells in a diamond shaped lattice pattern bordered by an external tensioning frame, Patent No. 2003/3945

Parent Material	Laminated polypropylene slit-film woven tape				
Mass	Typical	g/m ²	190	SANS / ISO 9864	
Thickness	Typical	mm	0.4	SANS / ISO 9863-1	
Tensile Strength	Warp	Strength	kN/m	38	SANS 1525 / ISO 10319:08
		Elongation	%	18	
	Weft	Strength	kN/m	36	
		Elongation	%	19	
Panel Properties					
Junction Strength	Strength	kN/m	8.5	SANS / ISO 13426-1 (Method A)	
Cell size	Side	mm	200 x 200		
	Diagonal		280 x 280		
Standard Panel Size (Foot Print)	Packaged	mm	450 x 750		
	Expanded	m	10 x 5		
Standard Panel Height	mm	Standard Panel Mass	kg	75	7.6
				100	11.5
				150	15.7
				200	23.2

The above results represent laboratory averages.

Note: special size or height **Multi-Cell**[®] panels can be made to order.



Kaytech reserves the right to make technical modifications to its products.

The information given in Kaytech's documentation is provided in good faith and to the best of our knowledge is true and correct. New research results and practical experience may however make revisions necessary. No guarantee or liability may be drawn from the information provided herein. Furthermore it is not Kaytech's intention to violate patents or licenses.